

WALL MOUNTED

SYMPHONY



A NEW GENERATION IN HEATING



SYMPHONY GAS FIRE

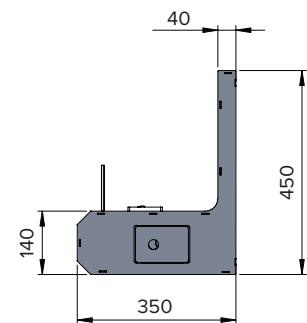
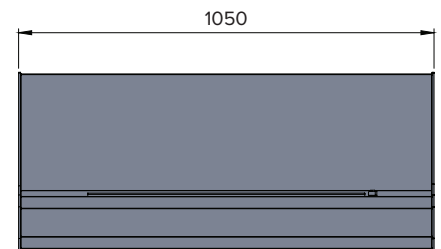
2026 EDITION

SHOWN WITH OPTIONAL GLASS SCREEN

This sleek wall mounted unit is designed to optimise the reflection of the flames in its brushed stainless steel rear wall, magnifying the effect of the flames for a stunning visual effect.

These units require no messy or costly building work. Instead they simply bolt to the wall and connect to a gas supply, providing an easy and time saving installation.

Our wall-mounted units are designed to be installed on a wall, out of reach of small children, making them an ideal choice for families with young kids.



2026 EDITION

This unit is supplied with a glass screen and mounting brackets for optional installation

UNIT	HEAT OUTPUT Kw	HEATING CAPACITY m ³	GAS CONSUMPTION g/hr		LEGAL MIN ROOM SIZE m ³	PERMANENT VENTILATION REQUIRED IF ROOM IS SMALLER THAN LEGAL ROOM SIZE cm ²
			LO	HI		
1000 SYMPHONY	10	400	450	740	185	2 x 240