

GRATE

DROP IN



A NEW GENERATION IN HEATING

INFINITI STAINLESS STEEL DROP IN



MODERN STYLING AT ITS BEST

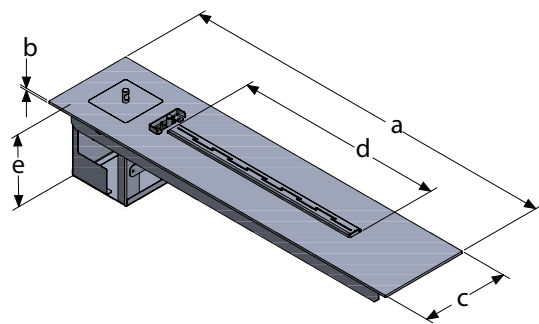
Our Drop In Grates make it easy to create a stylish statement in your home. Simply drop them into a hole in a slab made of any non-combustible material such as concrete, granite, or marble - much like a kitchen hob drops into the kitchen counter - to instantly upgrade your space.

It is essential for the grate to function properly that an adequate air supply is provided to the underside of the slab. To ensure this, all our Drop In Grates come with a louvre that can be incorporated into the brick structure to allow the necessary amount of air.

Airflow in a room reacts differently to a flame located against or near a rear wall, to a flame located in the middle of the room. Our Drop In Grates are designed to compensate for this. If you are installing a drop in unit with a wall at the rear of it, order a 'single sided unit'; if the grate is to be installed away from any walls order a 'double sided unit'.

- Available as standard in 880, 1100, 1400 or 2000mm sizes
- Available as specials with variable length & depth
- Available in black or brushed stainless steel
- Black unit is supplied with natural white stones to enable you to cover the grate in stones if so desired
- Grates can be fitted flush with slab surface or recessed into it to achieve different looks

STYLING CHOICES



GRATE SIZE	a	b	c	d	e	SIZE OF CUT OUT
880	880	5	200	470	170	170mm x 840mm
1100	1100	5	200	700	170	170mm x 1060mm
1400	1400	5	200	940	170	170mm x 1360mm
2000	2000	5	200	1400	170	170mm x 1960mm
Special dimensions a & c variable	variable	5	variable	940	170	(c-30mm) x (a-40mm)
	variable	5	variable	1400	170	(c-30mm) x (a-40mm)

UNIT	HEAT OUTPUT Kw	HEATING CAPACITY m ³	GAS CONSUMPTION g/hr		LEGAL MIN ROOM SIZE m ³	PERMANENT VENTILATION REQUIRED IF SMALLER THAN LEGAL ROOM SIZE cm ²
			LO	HI		
880 DROP IN 200	5	200	150	300	75	2 x 98
880 DROP IN 300	7	300	250	490	125	2 x 160
1100 DROP IN	10	400	450	740	185	2 x 240
1400 DROP IN	12	480	450	950	240	2 x 310
2000 DROP IN	15	600	600	1200	300	2 x 390
SPECIAL - 940mm BURNER	12	480	450	950	240	2 x 310
SPECIAL - 1400mm BURNER	15	600	600	1200	300	2 x 390