

# BUILT IN

**CLASSIC**

AVAILABLE AS SINGLE SIDED OR DOUBLE SIDED



A NEW GENERATION IN HEATING



1000 CLASSIC GAS FIRE WITH EXTRA WIDE BLACK FRAME

These units have a steel firebox c/w with a standard 40mm thick black frame. The firebox gets built into your masonry wall. On completion of building, the grate style chosen, as well as any of the 6 optional trims, can be easily fitted to the firebox. This gives considerable versatility to the unit in enabling a wide range of looks

to suit each person's individual style. Perfect for the developer, who can build in a standard firebox and later customise this to each purchaser's choice as the units are sold.

The units are available in 700 or 1000mm sizes.

## STYLING CHOICES

### STANDARD BLACK



### DELUXE BLACK & STAINLESS STEEL FRAMES



### EXTRA WIDE BLACK & STAINLESS STEEL FRAMES



### WRAPAROUND BLACK & STAINLESS STEEL FRAMES



SINGLE OR DOUBLE SIDED UNITS	HEAT OUTPUT Kw	HEATING CAPACITY m <sup>3</sup>	GAS CONSUMPTION g/hr		LEGAL MIN ROOM SIZE m <sup>3</sup>	PERMANENT VENTILATION REQUIRED IF ROOM IS SMALLER THAN LEGAL ROOM SIZE cm <sup>2</sup>
			LO	HI		
CLASSIC (200 GRATE)	5	200	150	300	75	2 x 98
CLASSIC (300 GRATE)	7	300	250	490	125	2 x 160
1000 CLASSIC	10	400	450	740	185	2 x 240

# BUILT IN

**CLASSIC**

AVAILABLE AS SINGLE SIDED OR DOUBLE SIDED

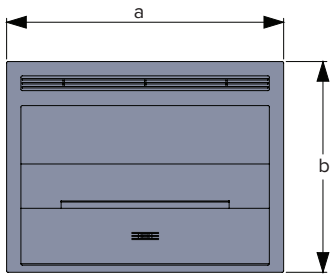


A NEW GENERATION IN HEATING



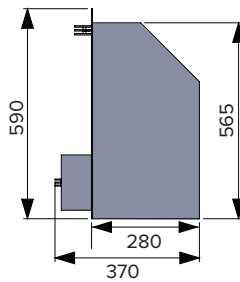
1000 CLASSIC DOUBLE SIDED GAS FIRE WITH WRAPAROUND BLACK FRAME

## SINGLE & DOUBLE SIDED



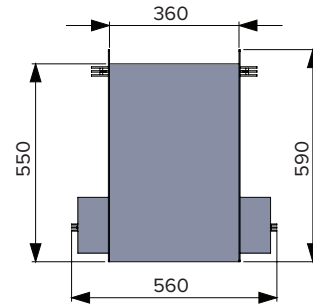
STANDARD BOX

## SINGLE SIDED



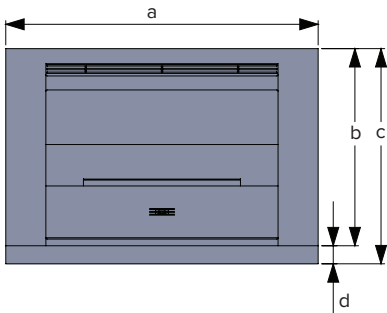
SIDE VIEW

## DOUBLE SIDED

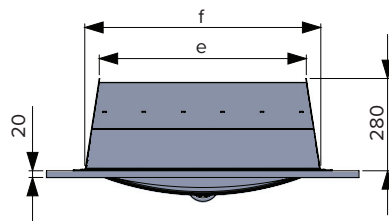


SIDE VIEW

SIDE VIEW.  
FOR FRONT  
DIMENSIONS  
REFER TO  
SINGLE  
SIDED GAS  
BOXES



STANDARD BOX WITH FRAME



PLAN VIEW WITH FRAME

700 BOX SIZE	a	b	c	d	e	f
STANDARD BOX	775	590	NA	0	620	703
DELUXE FRAME	935	595	NA	0	620	703
EXTRA WIDE FRAME	1190	595	NA	0	620	703
WRAPAROUND FRAME	1165	618	672	54	620	703

1000 BOX SIZE	a	b	c	d	e	f
STANDARD BOX	1075	590	NA	0	920	1003
DELUXE FRAME	1238	598	NA	0	920	1003
EXTRA WIDE FRAME	1455	621	NA	0	920	1003
WRAPAROUND FRAME	1460	621	675	54	920	1003