

EXTRACTION SYSTEMS

ISLAND STYLE CANOPIES



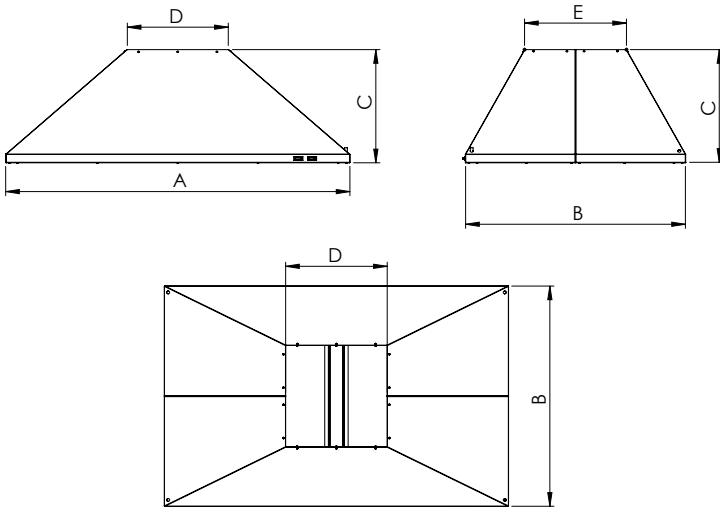
A NEW GENERATION IN BRAAIS



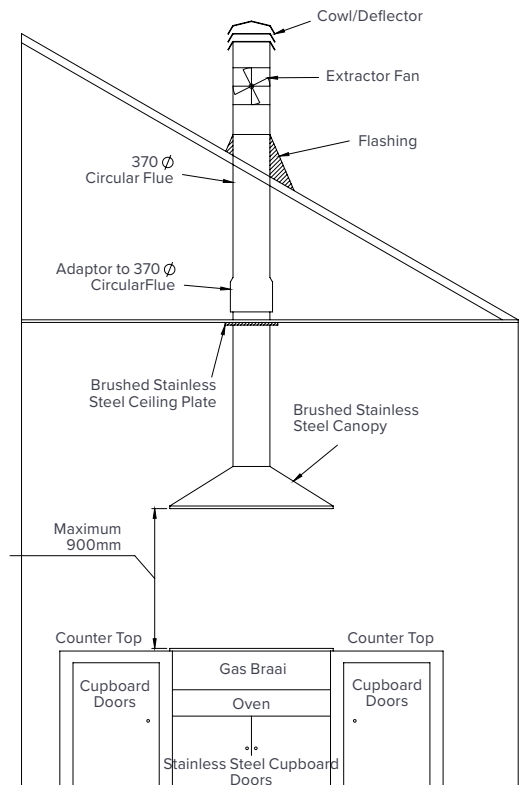
In the event that there is no rear wall to attach the canopy to, our Island Style Canopy can be supported from the ceiling.

These canopies come standard with removable Stainless Steel mesh filters for easy cleaning, and 2 swivel lights for optimal lighting when cooking.

They are available in widths of 1000 mm and 1250 mm.



PRODUCT	A	B	C	D	E
1000 ISLAND STYLE CANOPY	1000	800	410	370	370
1250 ISLAND STYLE CANOPY	1250	800	410	370	370



TYPICAL TOP EXIT CANOPY INSTALLATION